



TAI-SAW TECHNOLOGY CO., LTD.

No. 3, Industrial 2nd Rd., Ping-Chen Industrial District,
Taoyuan, 324, Taiwan, R.O.C.

TEL: 886-3-4690038 FAX: 886-3-4697532

E-mail: tstsales@mail.taisaw.com Web: www.taisaw.com

Approval Sheet For Product Specification

Issued Date:

Product Name: Two-Port SAW Resonator 434.42MHz SMD5X5mm

TST Parts No.: TD0114A

Customer Parts No.: _____

Company: _____
Division: _____
Approved by : _____
Date: _____

Checked by: _____ Asin Lin

Approval by: _____ Francis Chen

Date: _____ 2007/01/29



TAI-SAW TECHNOLOGY CO., LTD.

No. 3, Industrial 2nd Rd., Ping-Chen Industrial District,
Taoyuan, 324, Taiwan, R.O.C.

TEL: 886-3-4690038 FAX: 886-3-4697532

E-mail: tstsales@mail.taisaw.com Web: www.taisaw.com

SAW Resonator 434.42 MHz

MODEL NO.: TD0114A

REV. NO.:2

A. FEATURES:

1. 2-Port Resonator.
2. nominal 180° -phase at resonance.

RoHS Compliant
Lead free
Lead-free soldering

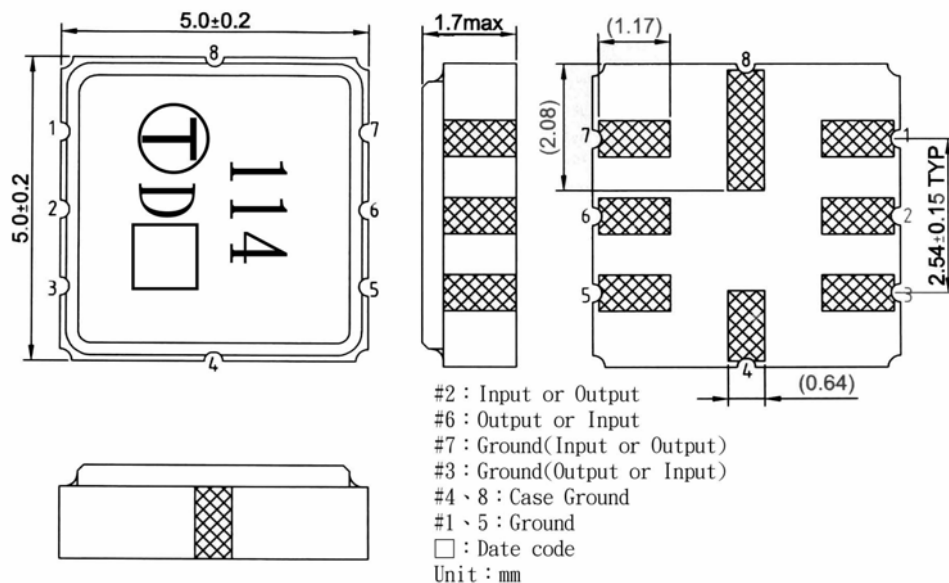
B. MAXIMUM RATING:

1. Power Dissipation: 0 dBm.
2. DC voltage: 12 V.
3. Storage Temperature: -40 °C to 85 °C.
4. Operating Temperature: -40 °C to 85 °C

C. ELECTRICAL CHARACTERISTICS:

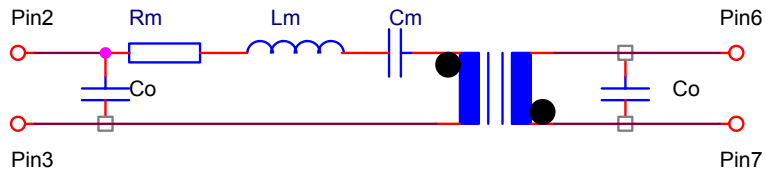
Characteristic	Units	Minimum	Typical	Maximum
Center frequency Fr	MHz	434.345	434.420	434.495
Insertion Loss IL	dB	-	7.0	9.0
Equivalent Elements				
Motional capacitance C1	fF	-	0.26	-
Motional inductance L1	μH	-	510	-
Motional resistance R1	Ohm	-	125	182
Parallel capacitance Co	pF	2.3	2.6	2.9
Temp.coeff.	ppm/c*2	-	0.032	-
Package size		SMD5X5X1.4		

D. OUTLINE DRAWING:

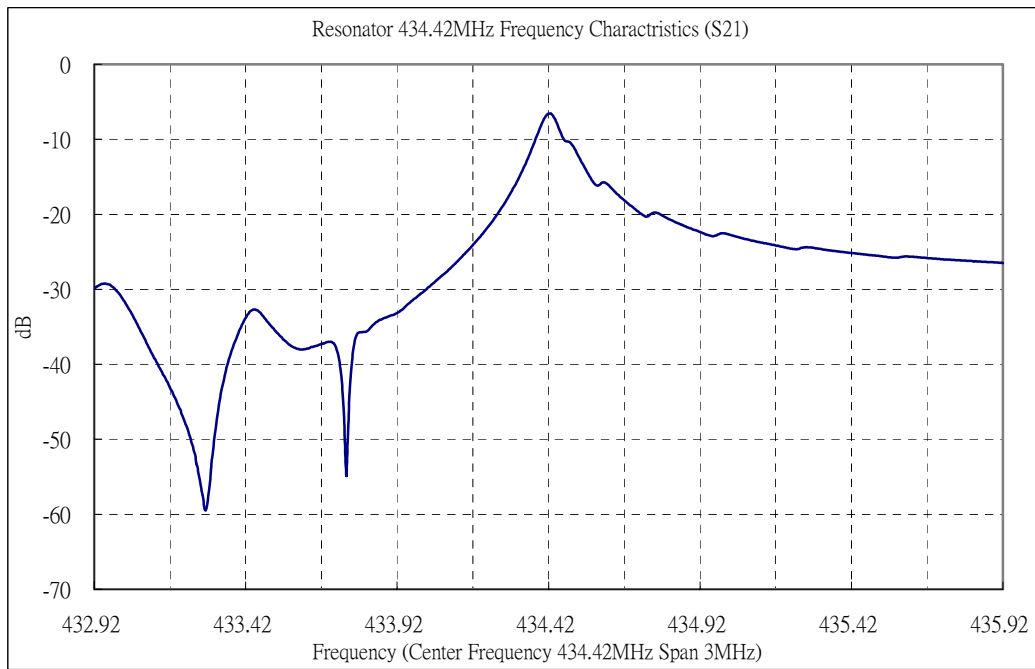


E. EQUIVALENT CIRCUIT:

Two-Port Resonator:

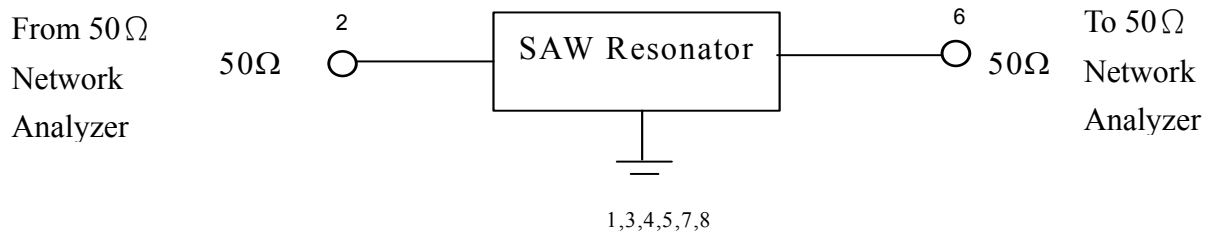


F. FREQUENCY CHARACTERISTICS:



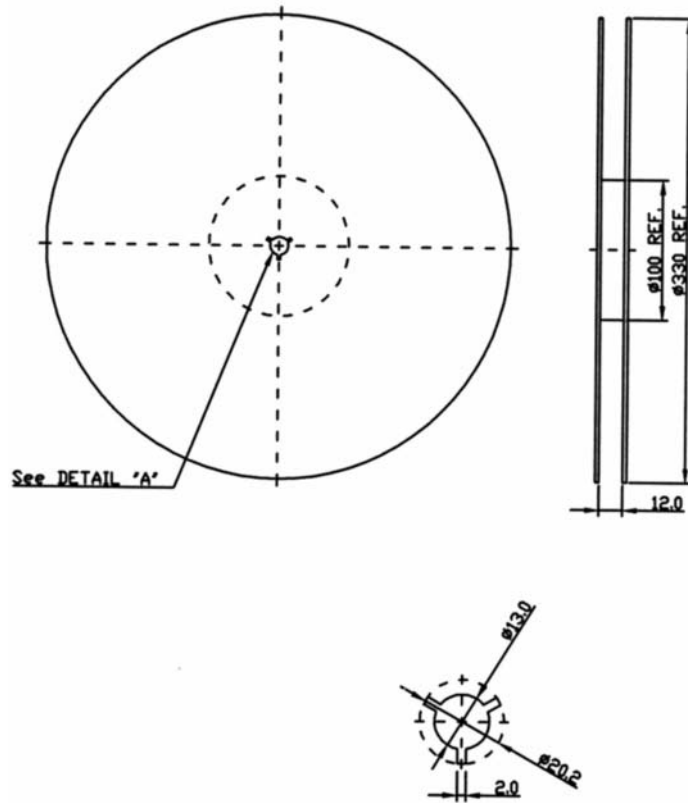
G. TEST CIRCUIT:

Network analyzer



F. PACKING:

1. REEL DIMENSION



2. TAPE DIMENSION

